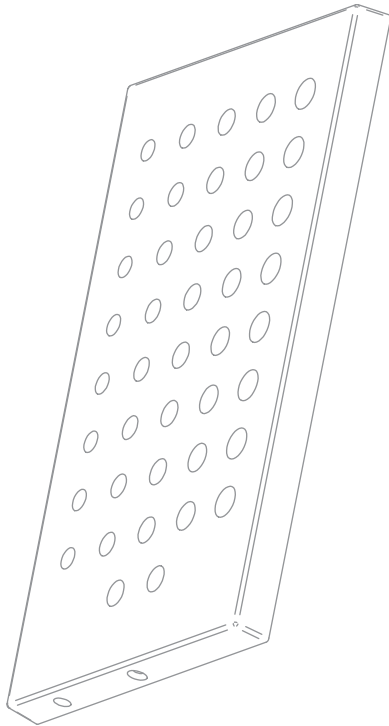




Touchtile®

Sensor Tile Installation Guide



Please read the installation guides to both the Water Control Unit and Sensor Tile carefully before starting to install your Touchtile system.

Sensor Tile Installation Guide

1- Check that you have received all the following items with your Sensor Tile:

- a. Sensor cover
- b. Sensor bracket
- c. Cover lock screw
- d. 4 wall mounting screws and rawl plugs
- e. Mounting template

Though not supplied you will also need the following items:

15mm Drill bit, 7mm drill bit, silicone sealant.

2- Stick the mounting template to the wall in the precise location where you would like to install the Sensor Tile. Make sure you install the Sensor Tile at a comfortable height to use and in easy reach for all the family. As a guideline, a good height to have it installed is adult chest height.

3- Using the drill sizes indicated on the mounting template, drill the 4 mounting holes to a depth of 25mm. After drilling insert the rawl plugs into each of these holes.

4- Drill a 15mm diameter hole for the communications connection in the position indicated on the template. The communications cable (supplied with the Water Control Unit) will now need to be routed from the location of the Water Control Unit (See Water Control Unit installation guide) to the location of this 15mm hole. If there is a cavity behind the wall it can be used to route the communications cable. If there is no cavity then an alternative route must be found.

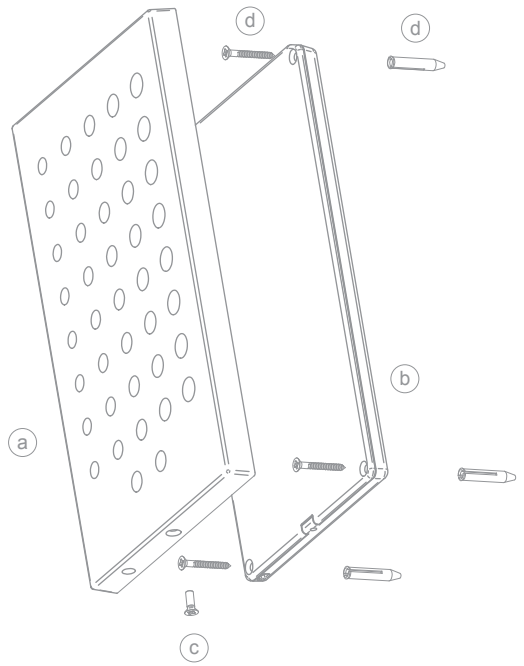
5- When the communications cable has been successfully routed from the Water Control Unit to the 15mm hole drilled in step 4, you can connect the communication cable coming out of the wall into the connection on the back of the Sensor Bracket. You should hear an audible click when the connections are properly linked together.

6- Mount the bracket the correct way up according to the indications on the front of the bracket. Line up the mounting holes with the rawl plugs in the wall and using the screws provided, attach the bracket securely to the wall.

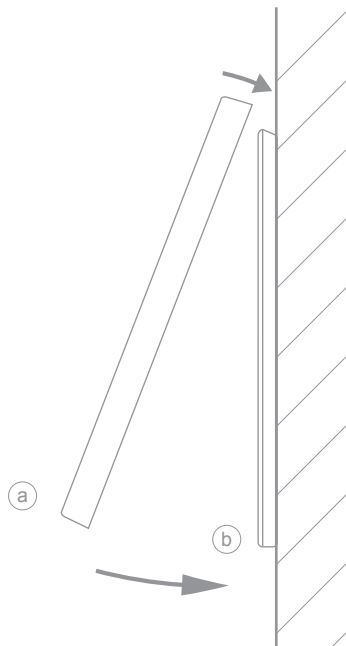
7- Attach the sensor cover by slotting it on the top of the bracket first, then secure it in place with the small lock screw underneath. The Sensor Tile should then be sealed round the edges with a silicone sealant to remove the possibility of water ingressing into the wall through the back of the unit. For operation of the sensor tile see the Sensor Tile user guide.

Sensor Tile Components

- a- Sensor cover
- b- Sensor bracket
- c- Cover lock screw
- d- 4 Wall mounting screws and rawl plugs
- e- Mounting template



Sensor Cover Fitting





Touchtile Ltd

St John's Innovation Centre
Cowley Road
Cambridge
CB4 0WS
England

Tel +44 (0) 1638 666611
enquiries@touchtile.com

www.touchtile.com