

---

**Miscea**  
**A new generation faucet**

**Instruction manual**

---

© 2007 Miscea GmbH.

No part of this publication may be reproduced, transmitted, transcribed, stored in any retrieval system or translated into any human or computer language by any means or in any form, without the prior written permission of Miscea. Contravention of the owner's copyright may also reduce the ability of Miscea to provide effective support for its equipment.

All the technical information, data and instructions contained in these operating instructions for operations that can and are to be performed, are up to date at the time of editing. They contain our current knowledge and experience to the best of our understanding. We reserve the right to make technical modifications arising from the further development of the Miscea product presented in these operating instructions. For this reason, no claims may be derived from technical data, descriptions and illustrations.

Miscea reserves the right to make changes without notice to both this manual and to its products described within this manual. Nothing in this manual represents any contractual or other commitment on the part of Miscea and should not be taken as such. All possible care has been taken in the preparation of this publication. Contact Miscea for suggestions for improvement. This manual is originally written in English. A copy is available on request.

## Contents

<b>1</b>	<b>General</b>	<b>4</b>
1.1	About this manual.....	4
<b>2</b>	<b>Cautions</b>	<b>5</b>
2.1	Installation cautions.....	5
2.2	Use cautions.....	5
2.3	Maintenance cautions.....	6
2.4	Type labels.....	6
<b>3</b>	<b>Introduction</b>	<b>7</b>
3.1	Content of the box.....	7
3.2	Faucet models.....	8
3.3	Faucet types.....	8
<b>4</b>	<b>Installation</b>	<b>9</b>
4.1	Preparation.....	9
4.2	Install the faucet.....	10
4.3	Attach the system box.....	11
4.4	Connect the system box.....	12
4.5	Install a pouch.....	14
4.6	Replace a pouch.....	15
4.7	Connect the power adapter.....	16
4.8	Reset.....	16
4.9	Set the water temperature.....	16
<b>5</b>	<b>Use</b>	<b>17</b>
5.1	Overview.....	17
5.2	Operation.....	18
5.3	Switch the faucet on.....	18
5.4	Wash your hands.....	19
5.5	Use soap, lotion or disinfectant.....	19
5.6	Adjust the water temperature.....	20
5.7	Fill a bucket with water.....	21
5.8	Change the pouch bracket size.....	21
<b>6</b>	<b>Service and maintenance</b>	<b>22</b>
6.1	Cleaning.....	22
6.2	Troubleshooting.....	22
<b>7</b>	<b>Technical data</b>	<b>24</b>
7.1	Specifications.....	24
7.2	Dimensions system box.....	25
7.3	Dimensions faucet.....	25
<b>8</b>	<b>Warranty and information</b>	<b>26</b>

## 1 General

---

### 1.1 About this manual

This manual includes technical specifications, instructions and explanations that helps to use this product safely. Read and understand these instructions before you transport, install, commission, restart, operate or do maintenance on the product.

The illustrations, drawings and graphs in this manual may be different from the actual components. Some drawings include icons and symbols. Put these instructions in a place where they are easy accessible. Contact your local supplier for questions that are not answered in this manual.

The following pictograms are used in this manual:



#### **Caution**

Identifies a hazard that could lead to damage to the faucet and/or damage to other equipment.



#### **Note**

Is used to highlight additional information.

## 2 Cautions

### 2.1 Installation cautions



#### Cautions

Do not open the system box or break the warranty seal of the system box. If you do, the warranty becomes void.

Do not connect the faucet to a water supply that has no strainer. If you do, the warranty becomes void.

Do not install hoses when the faucet is switched on or when the power adapter is connected.

Do not hold any object (for example, your hands) close to the faucet head when the calibration is in progress. This can block the light and interfere with the calibration.

Do not install or store the faucet in a location that has the risk of frost damage.

Do not install the faucet in direct sunlight.

Be careful with the power wire between the faucet and the system box. Its connector is fragile.

Do not connect the system box of one set to the faucet of another set. There is a possibility that it does not function properly.

Make sure that the hoses for the liquids are correctly connected to the system box.

Do not cut or kink the hoses.

Use only the supplied materials to install the faucet and the system box.

Only use the power adapter supplied with the faucet.

Use a grounded socket for the power adapter.

### 2.2 Use cautions



#### Cautions

Make sure that the installation procedure is correctly executed before you use the faucet.

Do not install hoses when the faucet is switched on or when the power adapter is connected.

Only use liquids and pouches that are approved by Miscea.

Do not change, repair or replace the spouts of the pouches. If you do, the warranty becomes void.

Do not replace pouches when the faucet is switched on or when the power adapter is connected.

## 2.3 Maintenance cautions



### Cautions

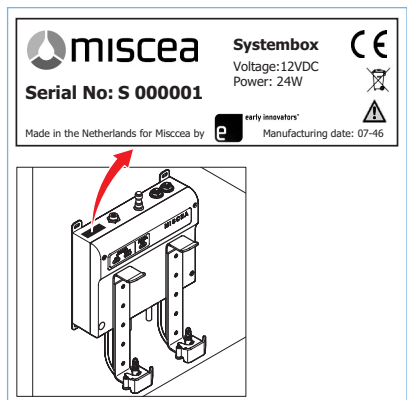
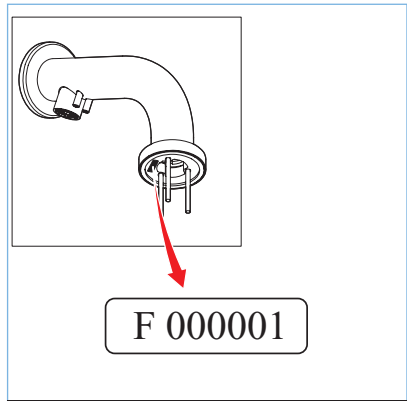
Do not try to repair the faucet or the system box yourself. Only qualified Miscea personnel is allowed to make repairs. If you make repairs yourself, the warranty becomes void.

Do not clean the faucet with abrasives, strong acids or bleach products. If you do, the warranty becomes void.

Do not clean the faucet when it is switched on.

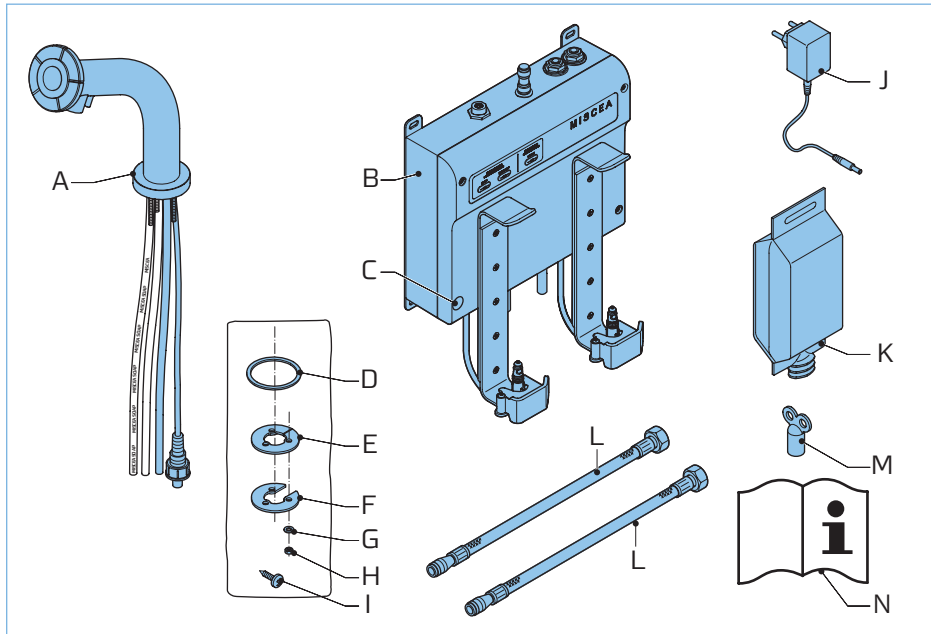
## 2.4 Type labels

The faucet and the system box have a type label.



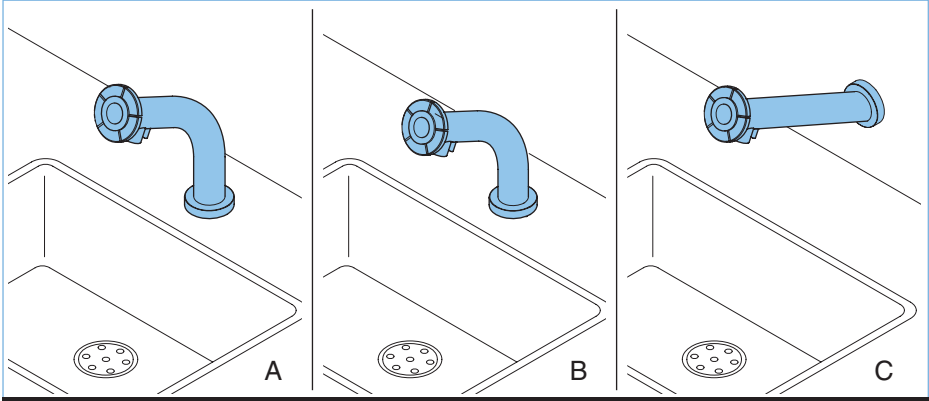
## 3 Introduction

### 3.1 Content of the box



Label	Description
A	Faucet
B	System box
C	Warranty seal
D	Seal ring
E	Gasket
F	Clamp
G	3 Washers
H	3 Nuts
I	4 Woodscrews (16 mm)
J	Power adapter
K	Pouch with soap, lotion or disinfectant (1 or 2, depending on the faucet type)
L	Water hose
M	Key (for temperature adjustment)
N	This manual

## 3.2 Faucet models



Label	Faucet model
A	Standard model
B	Small model
C	Wall-mounted model

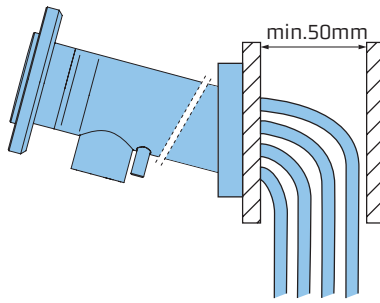
## 3.3 Faucet types

Faucet type	Additional liquids	Water temperature
1.0	0	Predefined
1.1	0	Adjustable
2.0	1 (soap)	Predefined
2.1	1 (soap)	Adjustable
3.0	2	Predefined
3.0 Medical	2 (soap & disinfectant)	Predefined
3.1	2	Adjustable
3.1 Medical	2 (soap & disinfectant)	Adjustable

## 4 Installation

### 4.1 Preparation

Before you install the faucet and the system box, choose a location to install them. Take care of the following constraints:

Item	Constraint
Distance between system box and faucet	Max. 75 cm
Distance between system box and water supply	Max. 60 cm (*)
Distance between system box and socket	Max. 100 cm (*)
Distance between system box and worktop	Min. 10 cm
Distance between system box and ground	Min. 30 cm
Water hose from water supply to system box	Max. 15 mm in diameter
Worktop or wall to install the faucet	Max. 4 cm thick
Material of the worktop	No high reflective surface
Free space behind the wall to bend the hoses and the wire (for the wall-mounted faucet model)	Min. 50 mm 

- \* For longer distances, you can have a qualified person install an extension to the water supply and/or the socket.

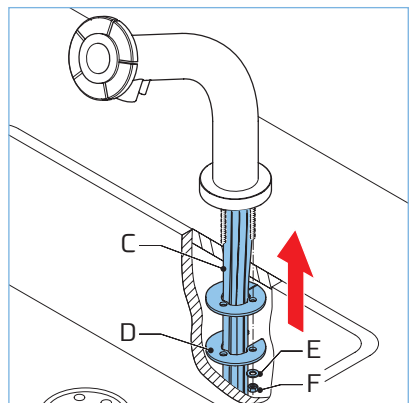
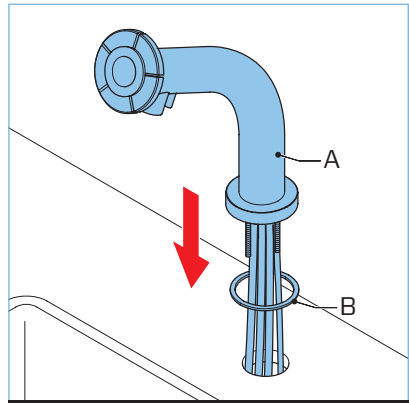
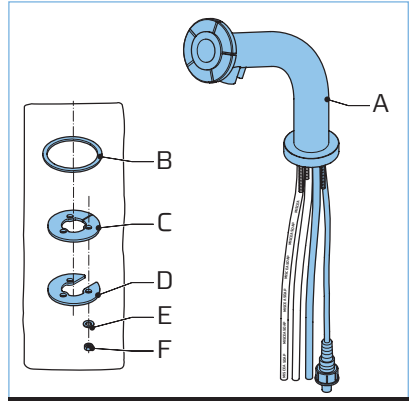
## 4.2 Install the faucet

To install the faucet, you need the following items:

Label	Description
A	Faucet
B	Seal ring
C	Gasket
D	Clamp
E	3 Washers
F	3 Nuts

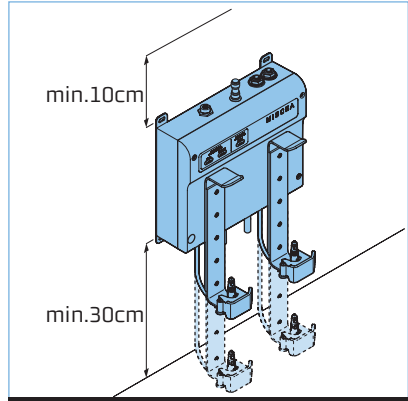
- Make a hole with a 35 mm diameter in the worktop (for standard and small faucet models) or the wall (for wall-mounted faucet models).
- Slide the seal ring (B) over the hoses and wire under the faucet (A).
- Push the hoses and wire under the faucet through the hole.

- Slide the gasket (C) over the hoses and wire under the worktop.
- Slide the clamp (D) over the hoses and wire.
- Slide the washers (E) over the screw threads of the faucet.
- Install the nuts (F) on the screw threads.
- Turn the nuts (F) tight.

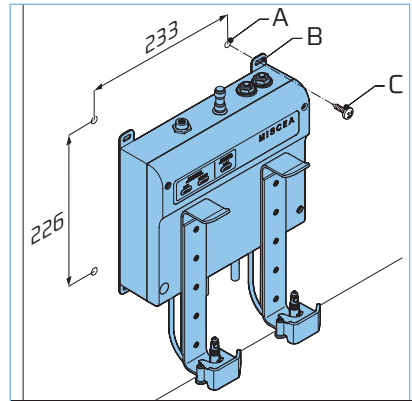


### 4.3 Attach the system box

- Make sure that the location to attach the system box is at least 10 cm under the worktop and 30 cm above the ground.

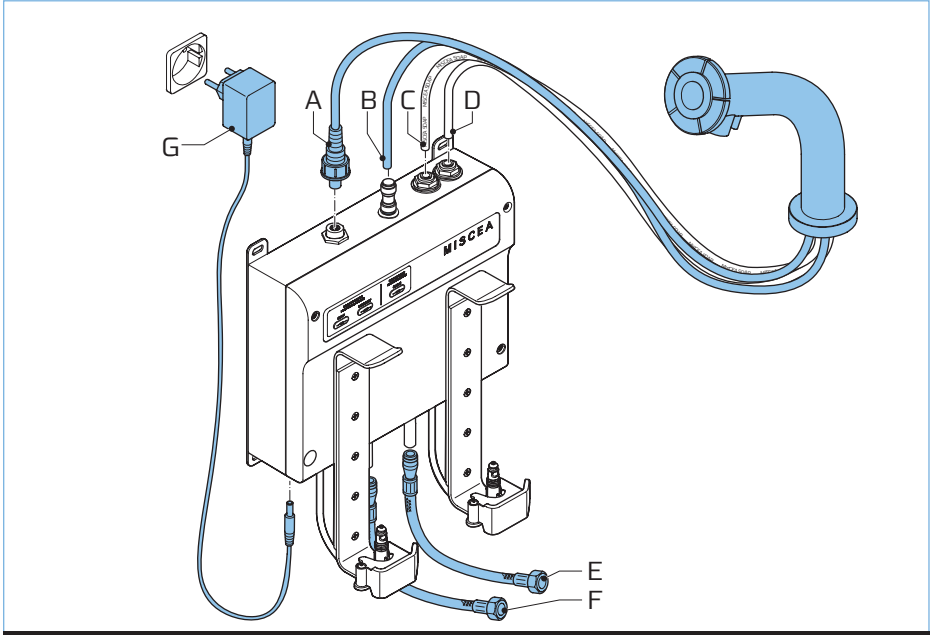


- Make 4 holes (A) in the wall.
- Attach the hooks (B) at the 4 corners of the system box to the wall with the 4 woodscrews (C).



## 4.4 Connect the system box

To connect the faucet to the system box, you need the following items:



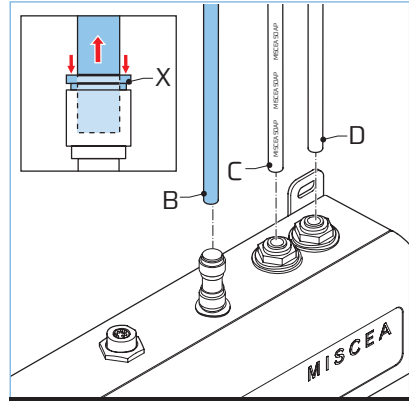
Label	Description
A	Power wire
B	Water hose
C	Soap hose (transparent hose with print "Miscea Soap")
D	Lotion/disinfectant hose (transparent hose without print)
E	Cold water hose
F	Warm water hose
G	Power adapter

To connect the hose:

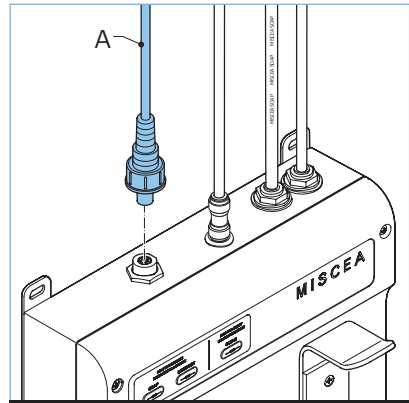
- Push the hoses (B,C and D) into the matching (corresponding) outlet until the fitting grips the hose.
- Pull the hose to check that hose is secured.

To disconnect the hoses:

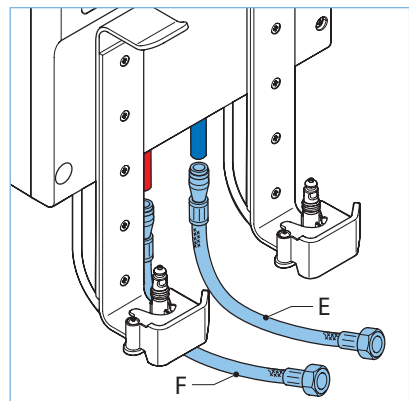
- Push the ring (X) and pull out the hose.



- Carefully turn the connector of the power wire (A) into the terminal and tighten it.
- Tighten the ring on the connector of the power wire (A).



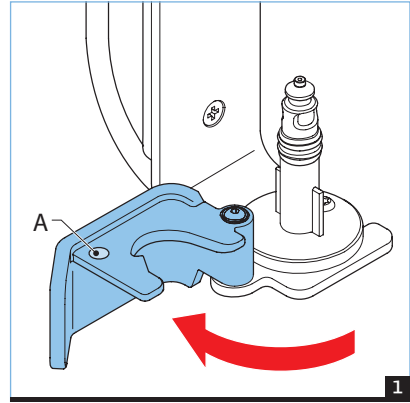
- Connect the cold water hose (E) to the right outlet at the bottom of the system box.
- Connect the hot water hose (F) to the left outlet at the bottom of the system box.



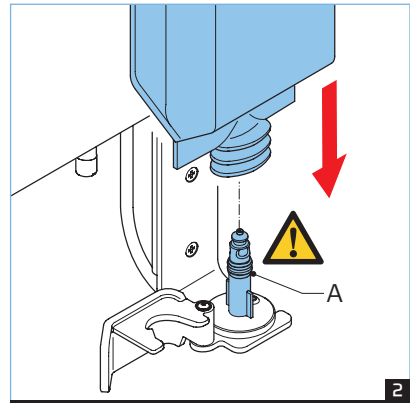
## 4.5 Install a pouch

- Open the brace at the bottom of the bracket.
- The sticker (A) indicates on which side the pouch should hang.

\* Green always indicates soap.



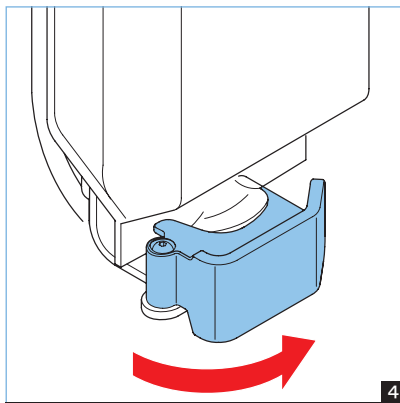
- Make sure that the 2 O-rings (A) are on the male spout of the bracket.
- Slide the female spout of the pouch over the male spout on the bracket.



- Slide the top of the pouch over the hook on the bracket.

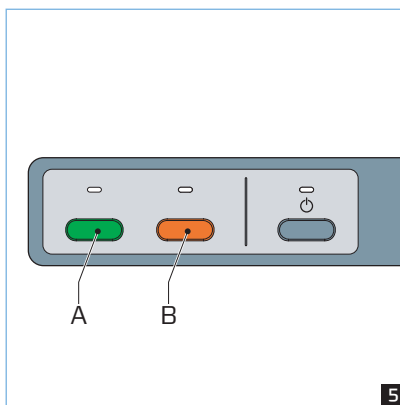


- Close the brace at the bottom of the bracket.



- To remove air in the hose, press the green button (A) or the orange button (B) on the system box to bleed the liquid in the orange or the green hose.
- Keep the button pressed until the hose is completely bled.

\* it stops automatically after 30 seconds. Push again if needed.



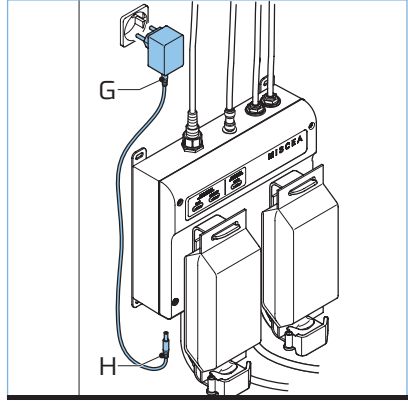
#### 4.6 Replace a pouch

Act in reverse order.

Refer to section 4.5, steps 4, 3 and 2.

## 4.7 Connect the power adapter

- Connect the wire of the power adapter (H) to the bottom of the system box.
- Connect the power adapter (G) to a socket.
  - *The calibration starts: the sensors in the faucet head adapt to the ambient light situation. (See note)*
  - *The sectors in the faucet head light one after another in counterclockwise direction, to indicate that the faucet is calibrated.*
  - *After 3 seconds, the calibration is finished, and the faucet head shows a pulsating white light, called the „heartbeat“.*



- \* Do not hold your hands or an object close to the faucet head when the faucet is calibrated.

## 4.8 Reset

If the ambient light situation of the faucet changes, it is possible that the faucet must be calibrated again. To calibrate the faucet, reset the faucet.

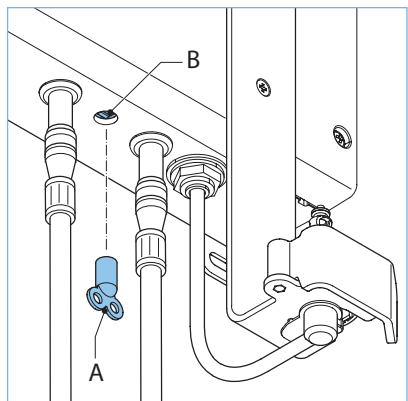
To reset (and calibrate) the faucet:

- Disconnect the power adapter.
- Wait 2 seconds.
- Connect the power adapter.
  - *The calibration starts.*

## 4.9 Set the water temperature

This applies to faucet types with fixed water temperature:

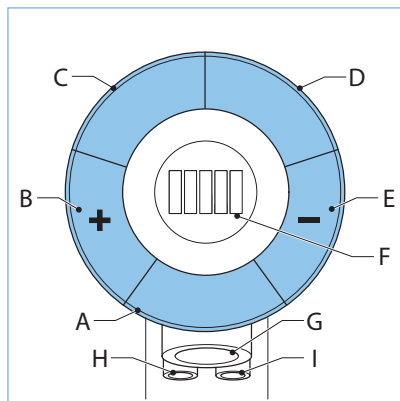
- 1.0
- 2.0
- 3.0
- 3.0 Medical
- Put a key (A) on the temperature screw (B) of the system box.
- Turn the bleed key counterclockwise to decrease the temperature, or turn the bleed key clockwise to increase the temperature.
- Remove the key from the system box.



## 5 Use

### 5.1 Overview

To operate the faucet, use the touch-free sectors on the head. Each touch-free sector has an infrared sensor at the outside. Depending on the faucet type, the head contains 5 sectors and 1 display.



Label	Description	Remarks
A	Water sector,	
B	Red sector, +	Only on faucet types: <ul style="list-style-type: none"> <li>- 1.1</li> <li>- 2.1</li> <li>- 3.1</li> <li>- 3.1 Medical</li> </ul>
C	Green sector, for soap	Not on faucet types: <ul style="list-style-type: none"> <li>- 1.0</li> <li>- 1.1</li> </ul>
D	Orange sector, for lotion or disinfectant	On the following faucet types C and D are 1 green sector: <ul style="list-style-type: none"> <li>- 2.0</li> <li>- 2.1</li> </ul>
E	Blue sector, -	Only on faucet types: <ul style="list-style-type: none"> <li>- 1.1</li> <li>- 2.1</li> <li>- 3.1</li> <li>- 3.1 Medical</li> </ul>
F	Display	Shows the temperature setting Only on faucet types: <ul style="list-style-type: none"> <li>- 1.1</li> <li>- 2.1</li> <li>- 3.1</li> <li>- 3.1 Medical</li> </ul>
G	Water outlet	
H	Left outlet for soap	Corresponds to the green sector (C)
I	Right outlet for lotion or disinfectant	Corresponds to the orange sector (D)

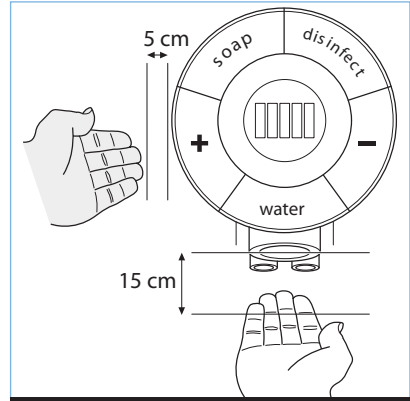
## 5.2 Operation

When the faucet is connected, all sectors show a pulsating white light. This is called the „heartbeat“.

To operate the faucet, you must activate the sectors. This activates the infrared sensors in the sectors of the faucet head.

To activate a sector:

- Hold your hand within 5 cm of the outside of the sector. ( For water within 15 cm)
  - The „heartbeat“ stops.
  - The chosen sector lights.
  - A beep sounds.

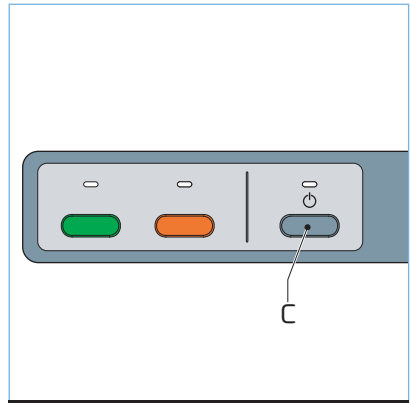


## 5.3 Switch the faucet on

- Press the ON/OFF button (C) on the system box.
  - The „heartbeat“ shows.

To switch the faucet off:

- Press the ON/OFF button (C) on the system box.
  - The „heartbeat“ stops.

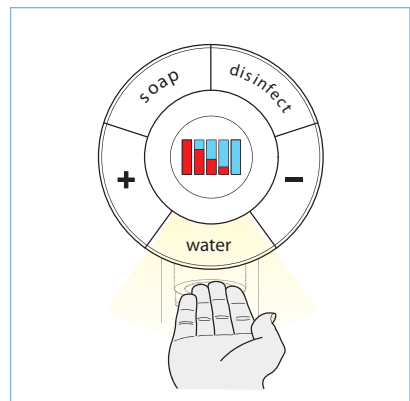


## 5.4 Wash your hands

- Activate the water section.
  - The water starts to run.

To stop the water:

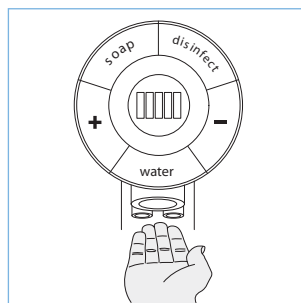
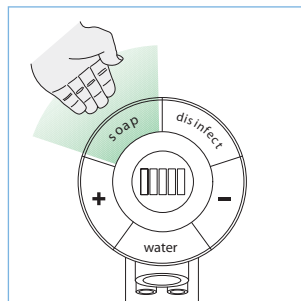
- Remove your hand from the water section of the faucet.
  - After 3 seconds, the water stops.



## 5.5 Use soap, lotion or disinfectant

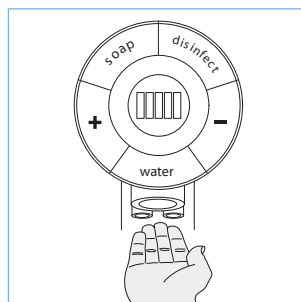
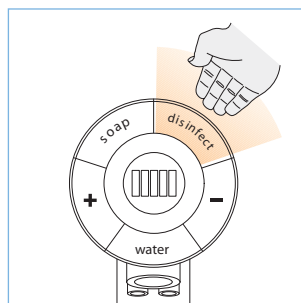
To use Soap:

- Activate the the green sector.
- Hold your hand under the outlet of the faucet.
  - *The outlet dispenses the soap.*
- Remove your hand from under the faucet.
- If you want to wash your hands, activate the water section.
  - *The water starts to run.*



To use Lotion or disinfectant:

- Activate the the orange sector.
- Hold your hand under the outlet of the faucet.
  - *The outlet dispenses the lotion or disinfectant.*
- Remove your hand from under the faucet.
- Immediate water supply is not possible after the use of these products.



## 5.6 Adjust the water temperature

This applies to faucet types with adjustable water temperature:

- 1.1
- 2.1
- 3.1
- 3.1 Medical

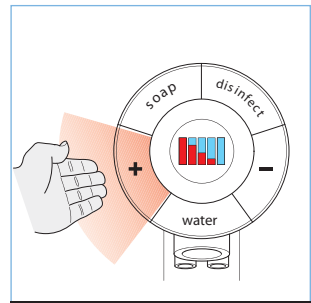
You can adjust the water temperature in all situations, that is:

- When you wash your hands (\*)
- When you fill a bucket with water
- When the water does not run

- \* You can use one hand to adjust the water temperature, and hold the other hand under the water outlet to feel the water temperature.

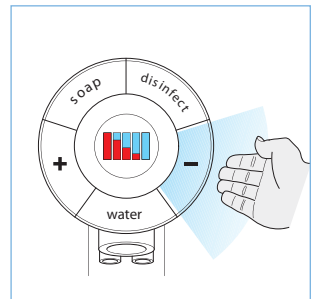
To increase the water temperature:

- Activate the + sector.
  - *The new temperature indication shows on the display.*



To decrease the water temperature:

- Activate the - sector.
  - *The new temperature indication shows on the display.*



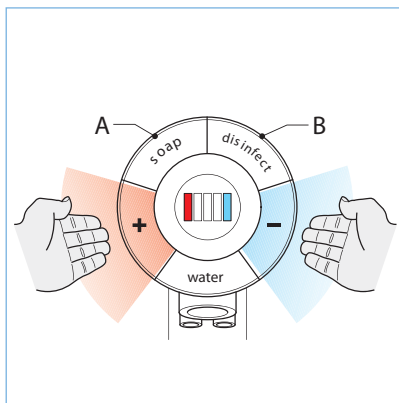
## 5.7 Fill a bucket with water

- Activate the + sector and the – sector at the same time for 1 second.
  - One red and one blue LED light up.
  - The water sector lights.
  - The water starts to run.

To stop the water:

- Activate the orange (A) or the green (B) sector.
  - The water stops.

- \* For faucets with predefined temperature: activate the same sectors

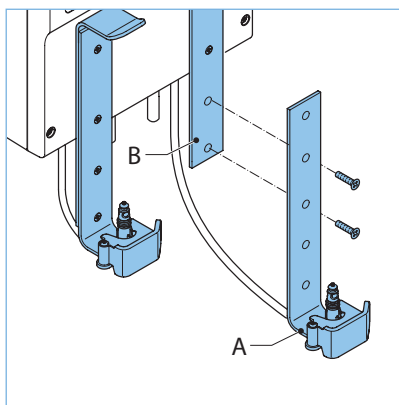


## 5.8 Change the pouch bracket size

The brackets can hold pouches of 1/2, 1 litre and 2 litres. By default, the brackets are set to hold pouches of 1 litre.

To change the bracket size to hold pouches of other sizes:

- Remove the screws from the bracket.
- Attach the screws in the matching holes of the removable bracket part (A) to the lower screw holes of the fixed bracket part (B).



## 6 Service and maintenance

### 6.1 Cleaning

- Switch the faucet off.
- Clean the faucet with a soft, clean cloth, water and a cleaning product.
- To remove dirt or scale, let white vinegar or all-purpose cleaner operate on the faucet for 30 seconds, wash the faucet with plenty of water, and dry it.
- Clean the system box with a damp cloth.
- Switch the faucet on.

### 6.2 Troubleshooting

Problem	Cause	Solution
The heartbeat does not show	The faucet is switched off	Switch the faucet on
	There is no power to the faucet	Connect the power adapter to a socket
		Connect the wire of the power adapter to the bottom of the system box
The sectors light one after another in counterclockwise direction for 3 seconds	The calibration is in progress	This is normal operation
All sectors except one blink for 10 seconds, after which the calibration starts	The sector that does not blink cannot be calibrated	If the calibration is not successful, reset the faucet
The green or orange sector blinks regularly	The pouch is empty	Replace the pouch
A sector lights when not activated	The calibration has failed	Reset the faucet
	The sensor in the sector is dirty	Switch the faucet off, and clean the sensor in the sector with a damp cloth
A sector does not light properly when activated	The sector is dirty	Switch the faucet off, and clean the sector with a damp cloth
	The LED of the sector is broken	Contact your Miscea dealer
The faucet does not dispense water (the heartbeat shows)	The water hoses are not connected properly	Connect the water hoses to and from the system box properly
	The water supply does not dispense water	Make sure that the water supply is open

Problem	Cause	Solution
No soap, lotion or disinfectant is dispensed	The pouch is not installed properly on the male spout of the bracket on the system box	Install the pouch properly
	The liquid hose is not connected properly	Disconnect the liquid hose, and connect it properly
	The liquid outlet is clogged	Switch the faucet off, and clean the outlet with a damp cloth
	The female spout of the pouch is not installed properly on the male spout	Install the pouch properly
The soap, lotion or disinfectant is dispensed with sputters	The liquid hose contains air	Press the appropriate button on the system box to bleed the hose
The faucet is not operated but it dispenses water or soap, lotion or disinfectant	One or more sectors were activated by an incidence of light	Reset the faucet
There is no beep when a sector is activated	The internal speaker is broken	Contact your Miscea dealer
The green or orange indicator on the system box blinks	A pouch is empty	Replace the pouch
The soap, lotion or disinfectant leaks	The O-rings on the male spout of the bracket are missing	Contact your Miscea dealer
	The pouch is broken	Replace the pouch
It is difficult to install a new pouch	The O-rings on the male spout of the bracket are dry	Moisten the O-rings with a small amount of soap

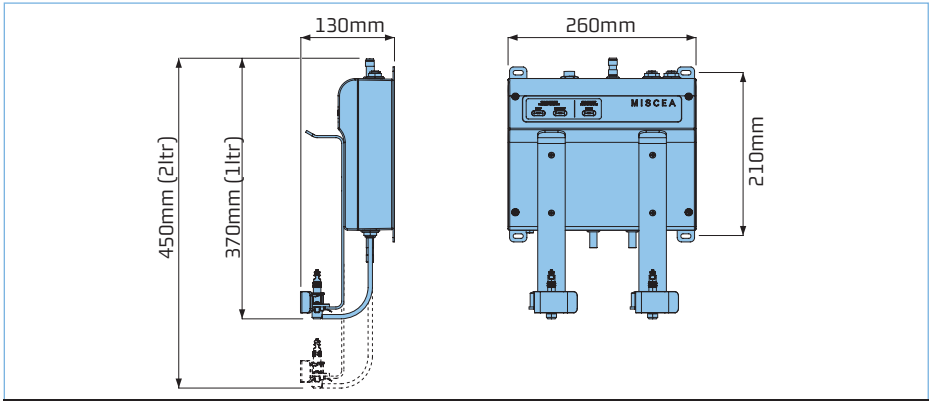
## 7 Technical data

### 7.1 Specifications

Item	Specification
Power source	12 V, 50–60 Hz, 2000 mA (min. 1600 mA)
Operating water pressure	0.8 – 8.0 bar
Max. water temperature	65 °C
Enclosure rating PCB compartments	IP 55
Transport weight	Standard model: 8,2 kg Small model/wall-mounted model: 8,1 kg
Faucet weight (incl. hoses and wire)	Standard model: 1,3 kg Small model/wall-mounted model: 1,2 kg
System box weight (excl. pouches)	2,9 kg
Dimensions storage box	40 cm x 45 cm x 22 cm
Storage temperature	0 – 70 °C (No icing, no condensation)

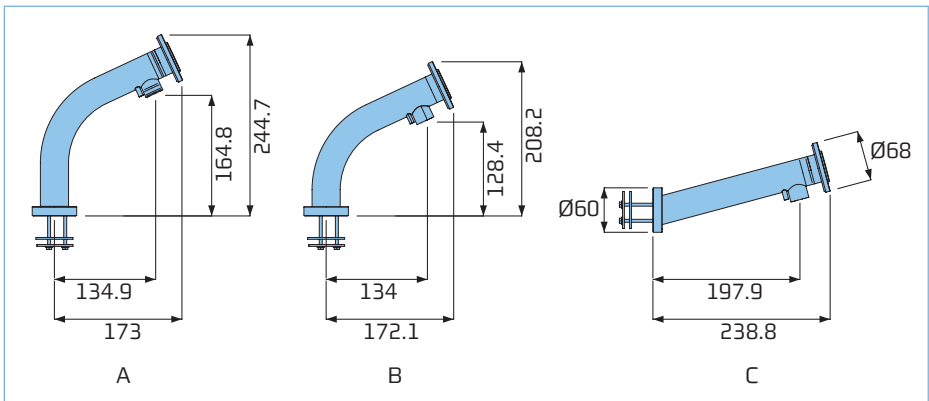
### 7.2 Dimensions system box

All dimensions are in mm.



### 7.3 Dimensions faucet

All dimensions are in mm.



Label	Faucet model
A	Standard model
B	Small model
C	Wall-mounted model

## 8 Warranty and information

### 8.1 Warranty

The warranty period is 2 years.

If the faucet needs repairing, contact your Miscea dealer.



#### Warranties

Do not open the system box or break the warranty seal of the system box. If you do, the warranty becomes void.

Do not connect the faucet to a water supply that has no strainer. If you do, the warranty becomes void.

Do not change, repair or replace the spouts of the pouches. If you do, the warranty becomes void.

Do not clean the faucet with abrasives, strong acids or bleach products. If you do, the warranty becomes void.

Do not try to repair the faucet or the system box yourself. Only qualified Miscea personnel is allowed to make repairs. If you make repairs yourself, the warranty becomes void.

---

## 8.2 Contact information

### Company

Miscea GmbH  
Siemens Technopark  
Werner-von-Siemens Strasse 6  
D-86159 Augsburg  
Germany  
W: [www.miscea.com](http://www.miscea.com)

For questions where to buy our products or questions concerning the use or installation: please visit our website for the Miscea representative in your country

For general remarks or questions please send us an email to [info@miscea.com](mailto:info@miscea.com).

For questions about distribution purposes: [sales@miscea.com](mailto:sales@miscea.com).

## 8.3 Updates of the manual

We update this manual regularly. If you want to have the latest version of this manual, you can download a copy from [www.miscea.com](http://www.miscea.com).

