



Touchtile



The Era of Touch Sensitive Bathrooms

Our sense of touch is a very personal experience. The time we spend in the bathroom is also very personal, and our sense of touch adds to the experience we have. Controlling our environment using touch has become very popular in recent years, and is becoming the standard way of controlling our environment. The Evolution Shower by Touchtile heralds a new era of touch sensitive control in the bathroom. Made from a luxurious material called Corian, it's beautifully designed and simple to use.

Introduction to the Evolution Shower System

The Evolution Shower system is a touch sensitive shower which is made from a beautiful material called Corian which has a luxurious feel to it. We've combined the sense of touch of a beautiful material with functionality to give you complete control over your shower experience.

There are 15 possible temperatures to choose from and 5 flow rates per temperature. The temperature selections are also reprogrammable to give you ultimate control over your experience. There is also an automatic divert control, so with the touch of a button you can change the output to a different output, such as a handheld shower head, bath, or basin.

Designed for Bathrooms

The design is beautifully simple. At the touch of a button it gives you audio feedback using custom designed sounds including voice feedback, then performs the selected function. There are no flashing lights or electronic displays. After all, it's designed for bathrooms, not living rooms.


The Evolution Shower, designed by Studiomold, has been designed for today and tomorrow in every aspect. From its beautifully designed shape to the way you interact with your Evolution shower, it represents what we come to expect of modern touch sensitive products. Beauty, simplicity, quality, and reliability.

Grand Designs Awards 2009 Finalist



Set against the inspiring backdrop of the Grand Village, which is the showcase for cutting-edge houses at Grand Designs Live, ExCeL, the event was held on 30 April 2009. Kevin McCloud, presenter of Channel 4's Grand Designs, announced the shortlist and award winners of the 2009 Grand Designs Awards. Touchtile's Evolution Shower product was shortlisted to the last 6 entries in the Grand Designs Awards Best Bathroom Products category. We're very proud to have been selected as a finalist amongst some of the biggest names in the bathroom industry with our very first product.



 Touchtile

off/clean

divert

Touchtile Sensor Tile, front view (Corian® Glacier White colour)



Touchtile Sensor Tile, side view (Corian® Clam Shell colour)

Flow Rate Selection

Flow rate is indicated by the size of the button, the larger the button the faster the flow rate. The smallest buttons are on the left, and the largest to the right. Each row of small to large buttons is the same temperature, therefore giving 5 different flow rates per temperature.

Temperature Selection

The temperature is indicated by the buttons distance from the red dot at the top and the blue dot at the bottom, from top to bottom, hot to cold. There are 8 rows from top to bottom, which give a total of 15 temperature selections. To select a temperature with one finger, you touch any button on any row. By selecting two buttons at once, one above the other, the temperature between the two rows is selected thereby giving you a virtual button, but a real temperature.

Divert Button

There are two possible outputs selectable from the Evolution shower by touching the Divert button. This gives you the ability to divert water to either the main shower head or a handheld. If you have a high pressure system of 3 bar or more, it is possible to attach an output to a bath since it will be able to fill it in a reasonable amount of time. It is also possible to connect one of the outputs to a basin which will allow the Evolution sensor tile to be used to output water to a basin.

Simple to Use

With a single touch, the Evolution shower gives you the temperature and flow rate you desire. A single lever tap only takes one movement to give you the flow rate and temperature you require. The Evolution shower is based on that same principle. Once you understand the interface, you'll never forget it.

Ease of Cleaning

Unlike regular shower controls, there are no difficult areas to clean on an Evolution shower control panel. To make cleaning even easier, it can be cleaned by putting it into the clean mode. This will disable all buttons which turn water on and off, thereby allowing you to clean the control panel without getting wet.



Touchtile Sensor Tile and fixed Shower Head, front view (Corian® Clam Shell colour)

Digitally Controlled Thermostatic Showering

New Patent Pending technology developed by Touchtile over the last four years has enabled us to produce a completely electronically controlled thermostatic valve system. It's the smallest in the world incorporating an electronically controlled divert valve and so takes up very little space. It is designed to be installed in a convenient place away from the bathroom making it easier to install and maintain.

Quality and Support

Our products go through a thorough testing process to make sure they meet our exacting standards. The quality of the engineering is very high and our exclusive designs are closely monitored for defects to make sure you only get the best.

5 Year Warranty The Evolution Shower has a 5 year warranty for manufacturing related defects

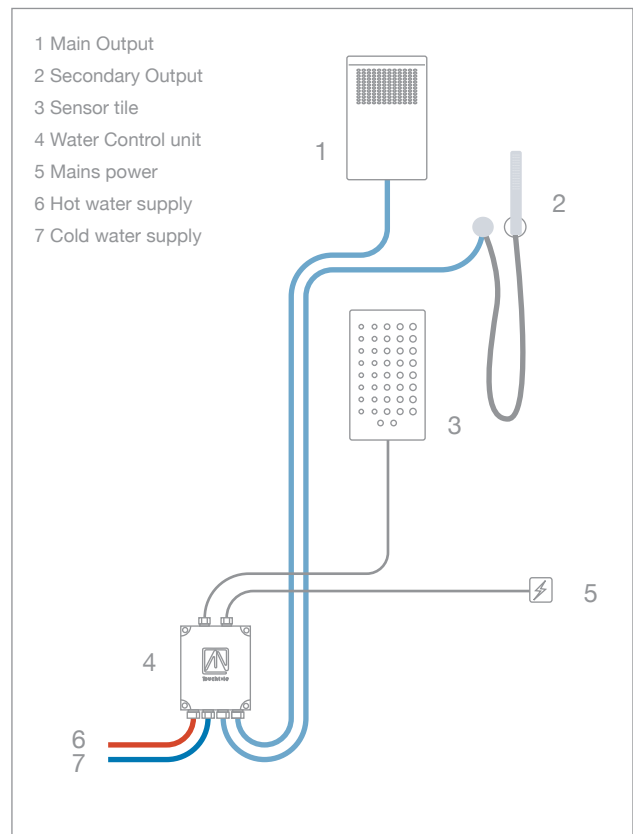
Customer Support For any enquiries, technical support, installation, and maintenance, please call Touchtile Ltd on +44 (0) 1638 666611

About Touchtile

Touchtile Ltd is a new British sanitaryware manufacturer founded in 2005 by Patrick Conroy in Cambridge. All custom parts of the Evolution Shower are manufactured in Great Britain as is all the assembly and final testing. Our products are solely made for the touch sensitive control of bathroom and kitchen sanitaryware based on our two patent applications. Our first product, the Evolution Shower, incorporates the technology that forms the basis of all our future products. We endeavour to have a complete bathroom range by the end of 2010 and several ranges by the end of 2011, as well as new kitchen products.



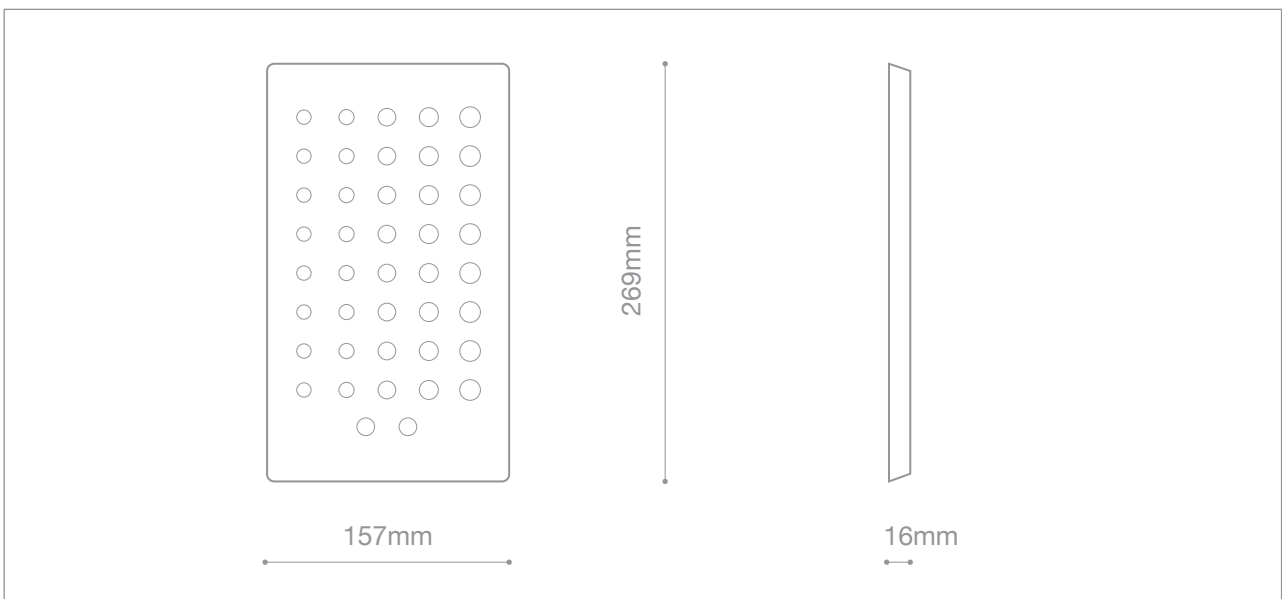
Water control unit



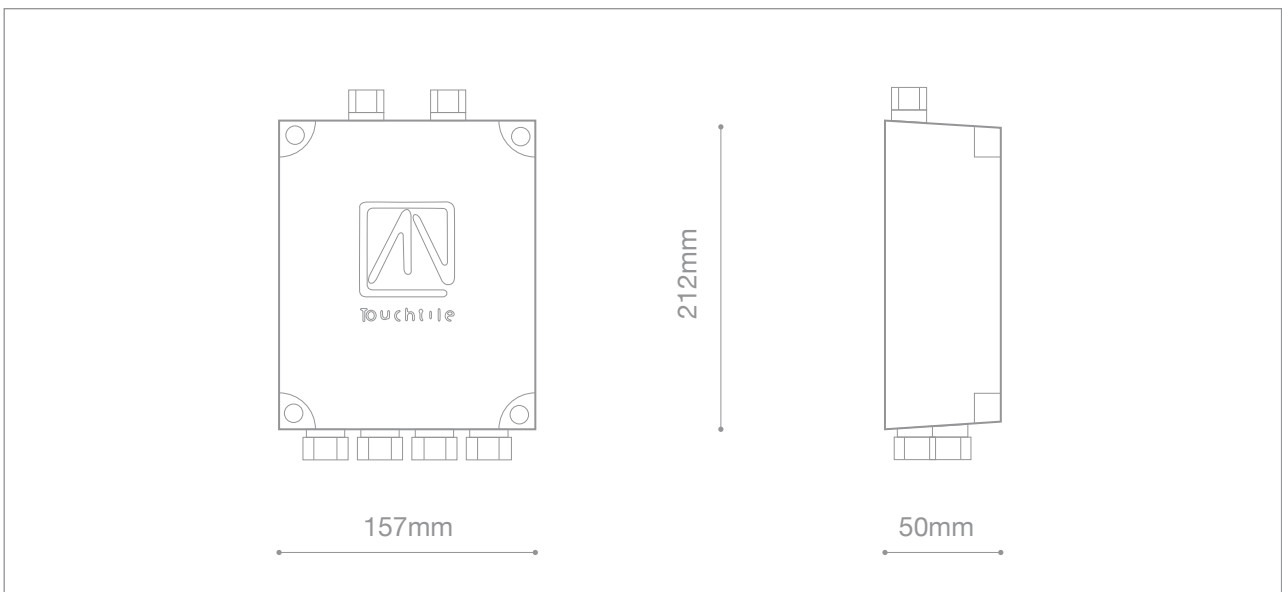
System Diagram

System Specifications

- 15 temperature selections (reprogrammable from Cold to 48°C in 0.5°C steps)
- Audio tone output when the chosen temperature has been reached
- 5 flow rate selections
- Thermostatic temperature control to +/- 0.25°C
- Scalding protection
- Audio feedback is tone, or tone and voice feedback (reprogrammable)
- Automatic shutoff when power is lost
- Clean mode (disables water to enable cleaning or reprogramming of the sensor tile)
- 10 meter signal cable as standard (longer lengths made to order)
- 3 meter mains electrical cable as standard (longer lengths made to order)
- G1/2" BSP pipe connections
- 3 Bar recommended water pressure on hot and cold inputs (3 Bar produces 23 litres per minute flow rate)
Min pressure 1.0 bar, Max pressure 5.0 bar



Sensor Tile dimensions



Water Control unit dimensions



Touchtile Ltd

Distributed in the UK by :
Smart Showers Ltd
Unit 11, Woodside Rd,
South Marston Park,
Swindon,
Wiltshire
SN3 4WA
Tel: 01793 822775

www.smartshowers.co.uk